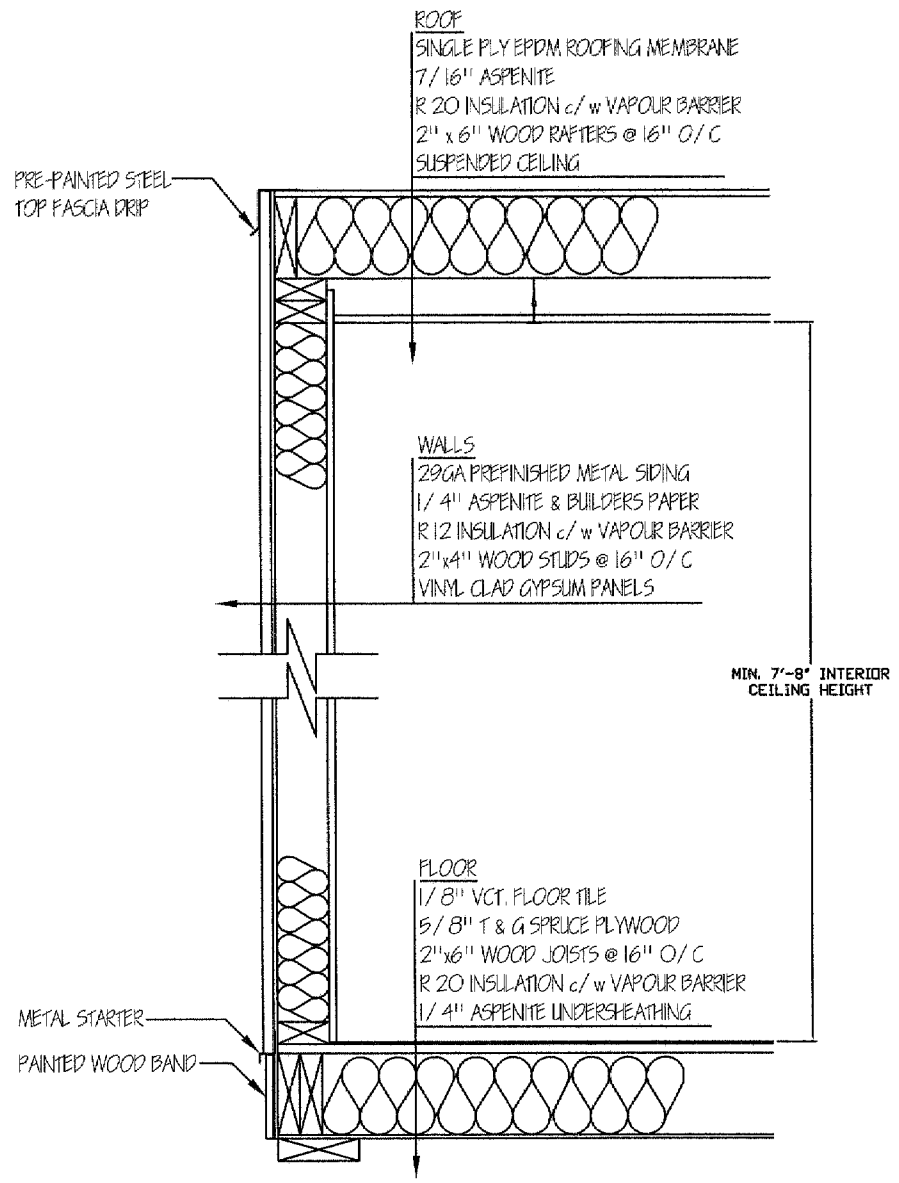
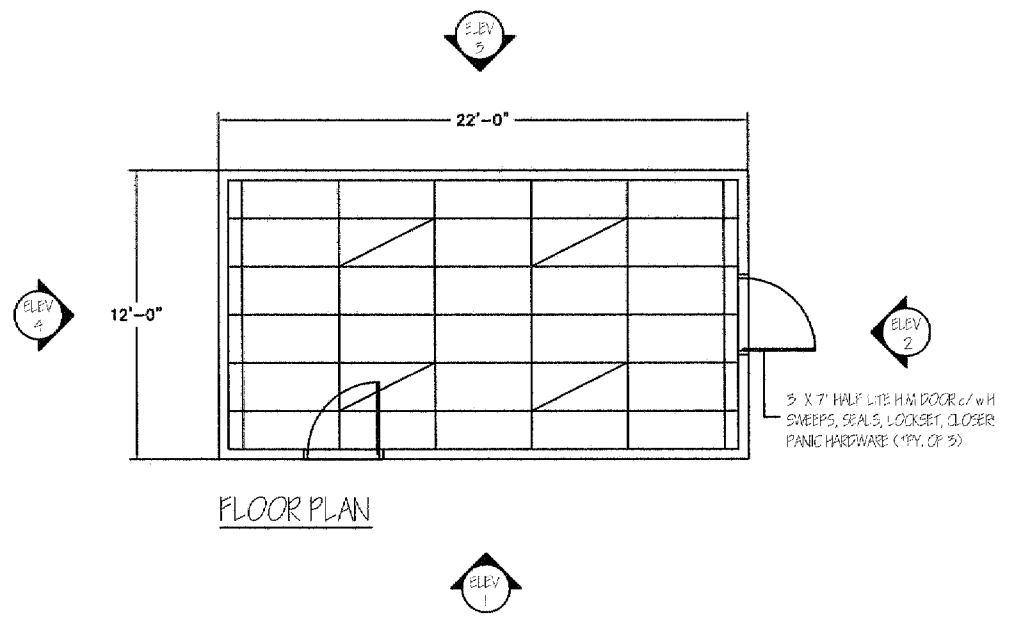


REVISIONS			
REV	DESCRIPTION	Date	APP



SECTION I
SCALE: 1" = 1'-0"



FLOOR PLAN

3' X 7' HALF LITE HALL DOOR c/w H SWEEPS, SEALS, LOCKSET, CLOSER PANIC HARDWARE (1PK. OF 3)

CUSTOMER:			
STOCK UNIT 12' X 22'			
LOCATION:			
MISSISSAUGA, ON			
JOB NAME:			
WFE1222			
DWG/JOB NO:	USED INV.	BY:	BY:
QUOTE NO:		YR	MC
SHEET NO:		09	01
SCALE:	NTS	REV. NO:	0



Provincial Partitions Lt