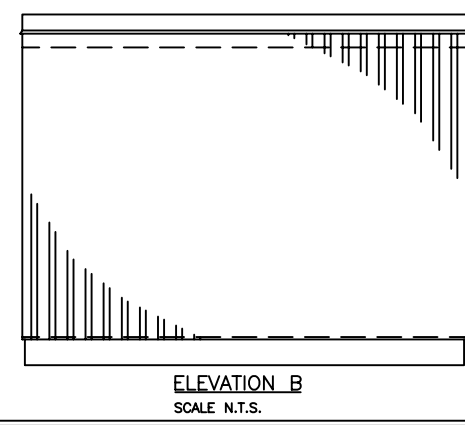
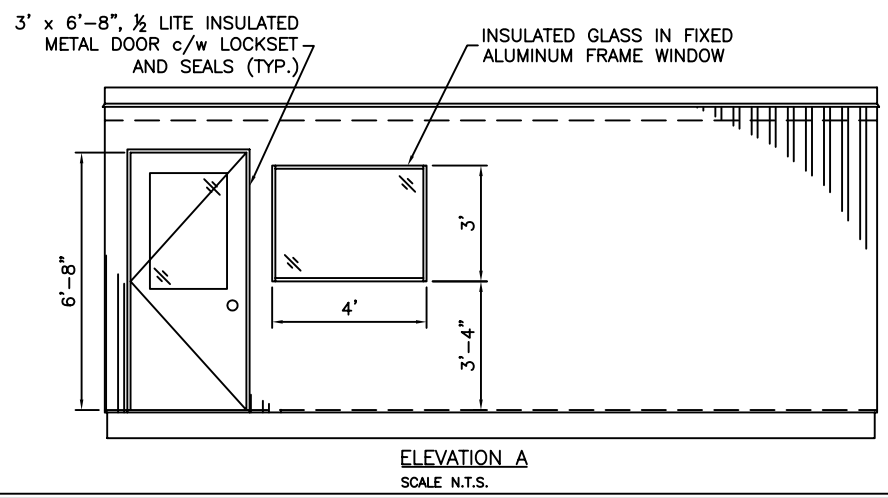
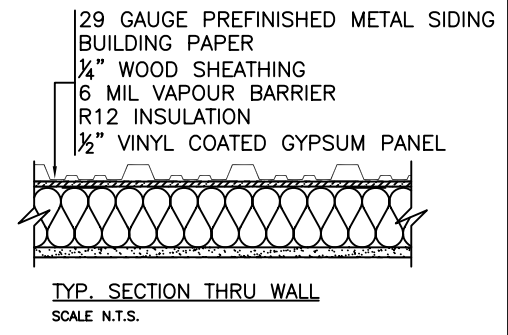
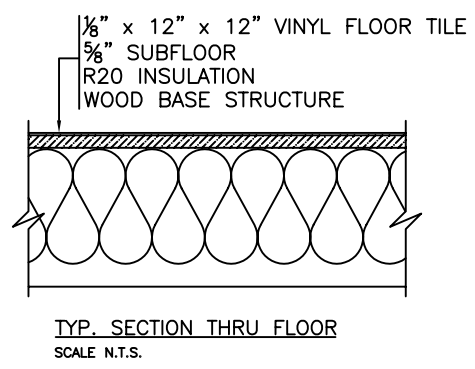
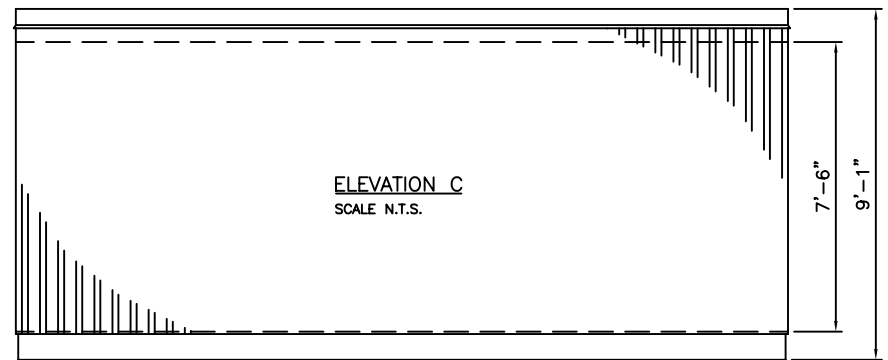
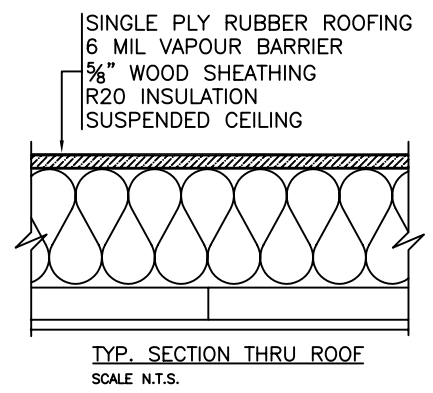
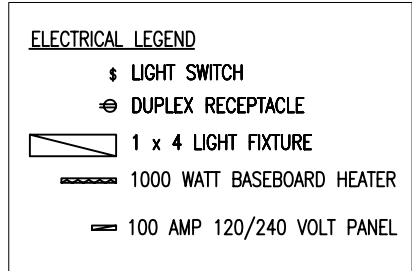
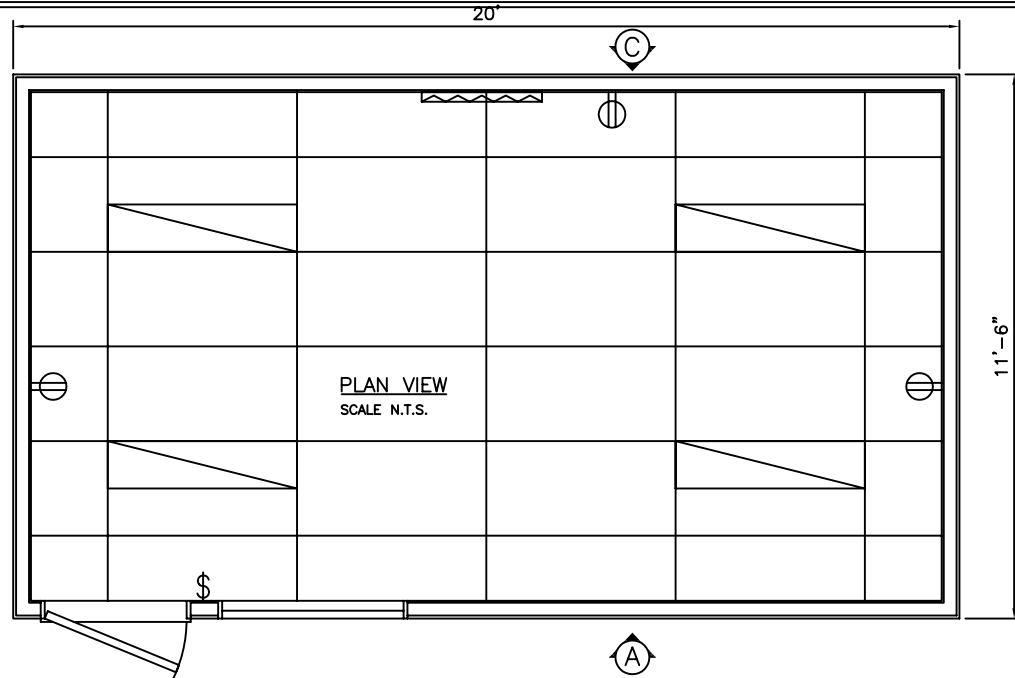


REVISIONS			
REV	DESCRIPTION	Date	APPROVED



**CUSTOMER:**  
PROVINCIAL PARTITIONS STANDARD

**LOCATION:**  
-

**JOB NAME:**  
11'-6" x 20' EXT. WOOD FRAMED BUILDING

DWG/JOB NO: PPL	BY: FJR
QUOTE NO:	YR MO DY
SHEET NO: 1	06 04 10
SCALE: N.T.S.	REV.NO 0